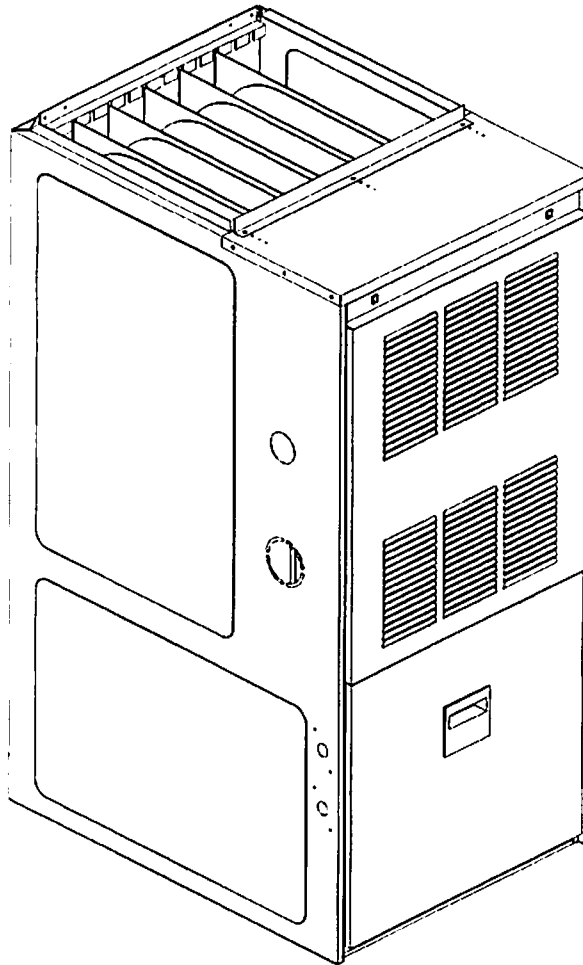


# REPAIR PARTS

## GMN-H Series Multi-Position Condensing Furnace

GMN060-3  
GMN080-4  
GMN100-4  
GMN120-5



Goodman Manufacturing Company, L.P.  
5151 San Felipe, Suite 500  
Houston, TX 77056

[www.goodmanmfg.com](http://www.goodmanmfg.com)



This manual is to be used by qualified technicians only.

RP-175F  
November 2007

This manual replaces RP-175E.  
Copyright © 2003-2007 Goodman Manufacturing Company, L.P.

# Important Information

---

## Index

Functional Parts List .....	3
Illustration and Parts .....	4 - 9

*Views shown are for parts illustrations only, not servicing procedures*

Rev. F: Corrected part number callouts on page 7.

### Text Codes:

AR - As Required

NA - Not Available

NS - Not Shown

00000000 - See Note

QTY - Quantity Example (QTY 3) (If Quantity not shown, Quantity = 1)

M - Model Example (M1) (If M Code not shown, then part is used on all Models)

### Expanded Model Nomenclature:

Example
M1 - Model#1
M2 - Model#2
M3 - Model#3

Goodman Manufacturing Company, L.P. is not responsible for personal injury or property damage resulting from improper service. Review all service information before beginning repairs.

Warranty service must be performed by an authorized technician, using authorized factory parts. If service is required after the warranty expires, Goodman Manufacturing Company, L.P. also recommends contacting an authorized technician and using authorized factory parts.

Goodman Manufacturing Company, L.P. reserves the right to discontinue, or change at any time, specifications or designs without notice or without incurring obligations.

For assistance within the U.S.A. contact:  
Consumer Affairs Department  
Goodman Manufacturing Company, L.P.  
7401 Security Way  
Houston, Texas 77040  
877-254-4729-Telephone  
713-863-2382-Facsimile

For assistance outside the U.S.A. contact:  
International Division  
Goodman Manufacturing Company, L.P.  
7401 Security Way  
Houston, Texas 77040  
713-861-2500-Telephone  
713-863-2382-Facsimile

# Functional Parts

**Part  
No:**

**Description:**

Expanded Model Nomenclature

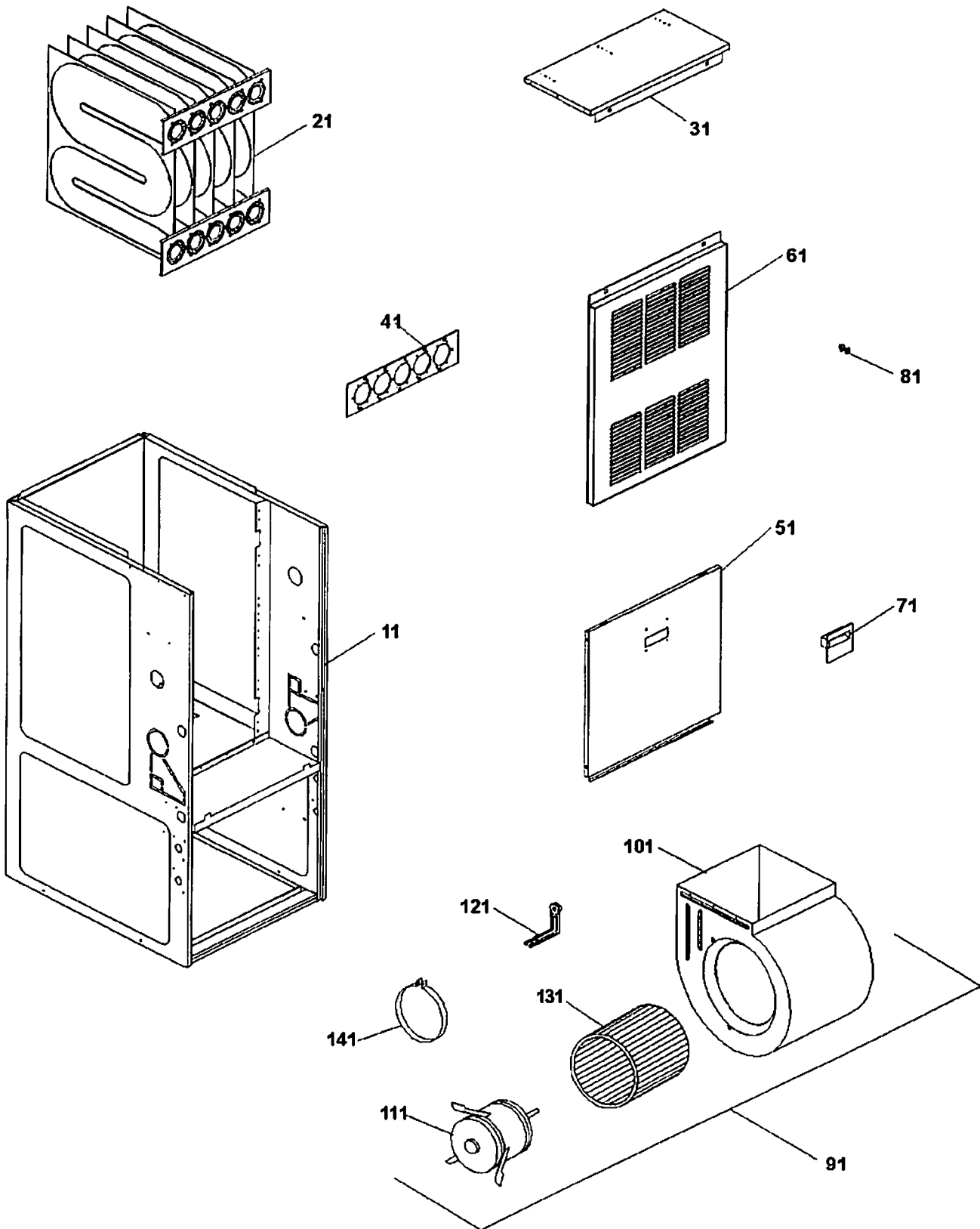
B1401009S	ASSY, HOT SURFACE IGNITOR
2522703S	ASSY, INSHOT BURNER (QTY AR)
B945652	CAPACITOR 10/370 (M2, M3)
B945672	CAPACITOR 12.5/370 (M1)
B945653	CAPACITOR 15/370 (M4)
B2864600	COIL, SECONDAR HEAT EXCHANGER 3 CELL (M1)
B2864601	COIL, SECONDAR HEAT EXCHANGER 4 CELL (M2)
B2864602	COIL, SECONDAR HEAT EXCHANGER 5 CELL (M3)
B2864603	COIL, SECONDAR HEAT EXCHANGER 6 CELL (M4)
B1370820	DOOR SWITCH
B1172606	FLAME SENSOR
B2589345	GAS ORIFICE #45 (QTY AR)
B1282615	GAS VALVE H.S.I. (HONEYWELL)
B1809908	INTEGRATED H.S.I. MODULE
B1370013	LIMIT SWITCH 3" 200°F (M1, M2)
B1370010	LIMIT SWITCH 7" 170°F (M3, M4)
B2526001	MANIFOLD 3 CELL (M1)
B2526002	MANIFOLD 4 CELL (M2)
B2526003	MANIFOLD 5 CELL (M3)
B2526004	MANIFOLD 6 CELL (M4)
B1340020	MOTOR 1/2 HP (M2, M3)
B1340021	MOTOR 1/3 HP (M1)
B1340022	MOTOR 3/4 HP (M4)
B1370143	ROLLOUT SWITCH 300°F (QTY AR)
2821300S	SUB ASSY, HEAT EXCHANGER 3 CELL (M1)
2821301S	SUB ASSY, HEAT EXCHANGER 4 CELL (M2)
2821302S	SUB ASSY, HEAT EXCHANGER 5 CELL (M3)
2821303S	SUB ASSY, HEAT EXCHANGER 5 CELL (M4)
B1370150	SWITCH, AIR PRESSURE (WHITE) (M2, M3, M4)
B1370148	SWITCH, AIR PRESSURE (YELLOW) (M1)
B1141600	TRANSFORMER 115/24/40V
2868401	WIRE HARNESS, BLOWER
2868400	WIRE HARNESS, HEAT EXCHANGER

M1 - GMN060-3
M2 - GMN080-4
M3 - GMN100-4
M4 - GMN120-5

## SPECIAL PARTS

IO-554	INSTALLATION INSTRUCTIONS
RP-175F	REPAIR PARTS MANUAL

# Chassis Assy



# Chassis Assy

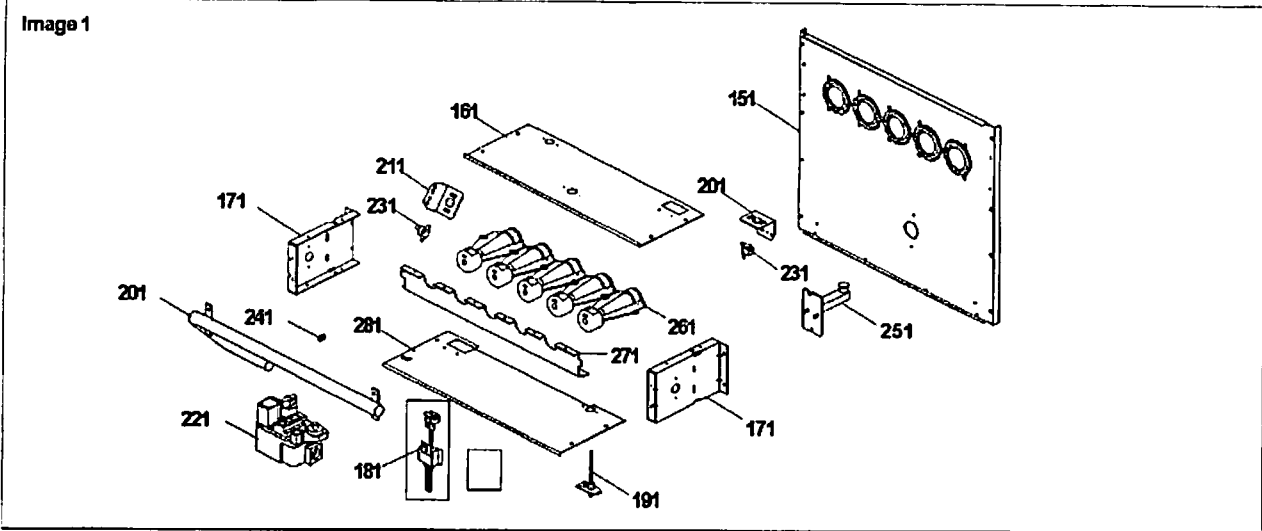
Ref Part No:	Description:	Ref. Part No:	Description:
<i>Image 1:</i>			
11 2818500S	WRAPPER ASSY (M1)		
11 2818501S	WRAPPER ASSY (M2)		
11 2816502S	WRAPPER ASSY (M3)		
11 2816503S	WRAPPER ASSY (M4)		
21 2821300S	SUB ASSY, HEAT EXCHANGER 3 CELL (M1)		
21 2821301S	SUB ASSY, HEAT EXCHANGER 4 CELL (M2)		
21 2821302S	SUB ASSY, HEAT EXCHANGER 5 CELL (M3)		
21 2821303S	SUB ASSY, HEAT EXCHANGER 5 CELL (M4)		
31 2508500P	TOP 14" (M1)		
41 2508501P	TOP 17.5" (M2)		
41 2508502P	TOP 21" (M3)		
41 2508503P	TOP 24.5" (M4)		
51 2523300S	ATTACHMENT GASKET 3 CELL (M1)		
51 2522301S	ATTACHMENT GASKET 4 CELL (M2)		
51 2522302S	ATTACHMENT GASKET 5 CELL (M3)		
51 2522303S	ATTACHMENT GASKET 6 CELL (M4)		
61 2812500S	BLOWER DOOR W/HANDLE 1/4 TURNS 14" (M1)		
61 2812501S	BLOWER DOOR W/HANDLE 1/4 TURNS 17.5" (M2)		
61 2812502S	BLOWER DOOR W/HANDLE 1/4 TURNS 21" (M3)		
61 2812503S	BLOWER DOOR W/HANDLE 1/4 TURNS 24.5" (M4)		
71 1893600	DOOR HANDLE W/CLLIPS		
81 B1392132	TURN NYLATCH 14" (QTY 2)		
91 2868202S	BLOWER ASSY 1/2 HP 10 X 10 (M3)		
91 2868201S	BLOWER ASSY 1/2 HP 10 X 8 (M2)		
91 2868200S	BLOWER ASSY 1/3 HP 10 X 6 (M1) INCLUDES ITEMS 101 THRU 140		
91 2868203S	BLOWER ASSY 3/4 HP (2) 10 X 6 (M4)		
101 2539303	ASSY, BLOWER SHELL 10 X 10 (M3)		
101 1839301	ASSY, BLOWER SHELL 10 X 6 (M4)		
101 2539300	ASSY, BLOWER SHELL 10 X 6 (M1, M4)		
101 2539301	ASSY, BLOWER SHELL 10 X 8 (M2)		
111 B1340020	MOTOR 1/2 HP (M2, M3)		
111 B1340021	MOTOR 1/3 HP (M1)		
111 B1340022	MOTOR 3/4 HP (M4)		
121 B1376859	ARM, MOTOR MOUNT (M4)		
131 B1368016	BLOWER WHEEL (M2)		
131 B1368034	BLOWER WHEEL (M1, M4)		
131 B1368046	BLOWER WHEEL (M4)		
131 B1368047	BLOWER WHEEL (M3)		
141 B1376851	BAND, MOTOR MOUNT (M4)		

## Expanded Model Nomenclature

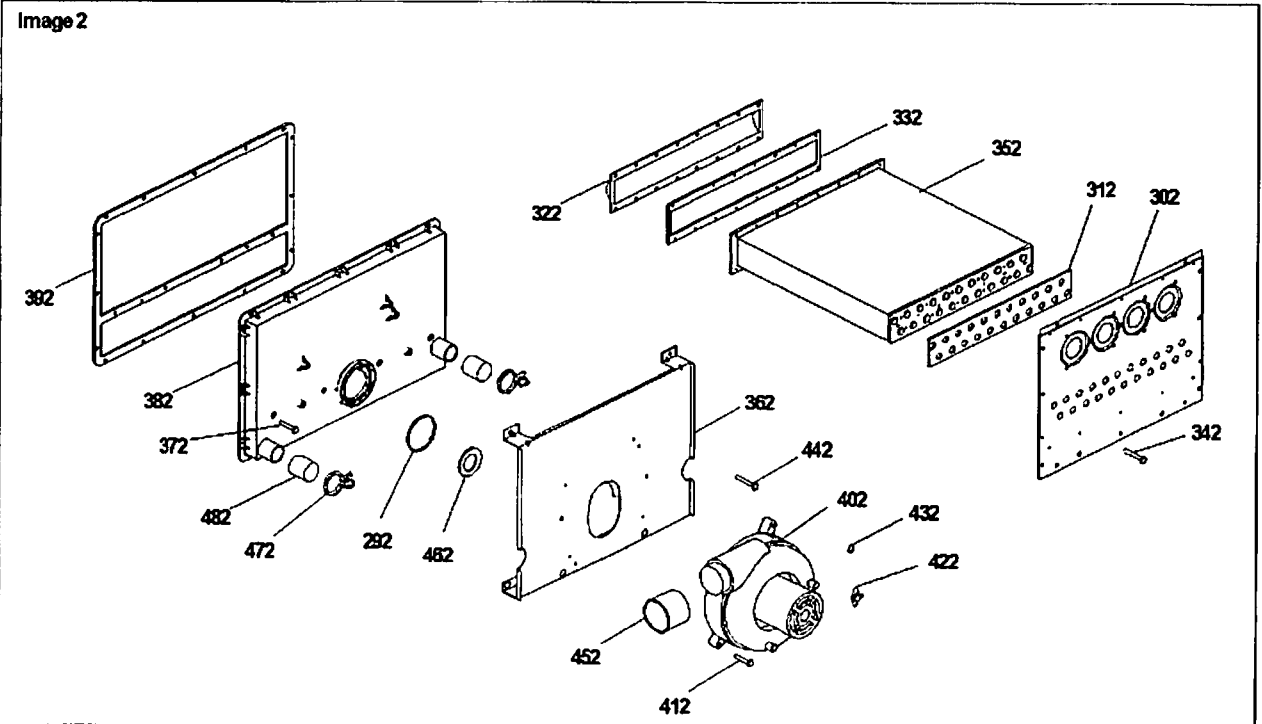
M1 - GMN060-3
M2 - GMN080-4
M3 - GMN100-4
M4 - GMN120-5

# Dual Heat Exchanger Assy

## PRIMARY HEAT EXCHANGER ASSEMBLY



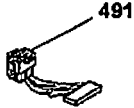
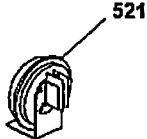
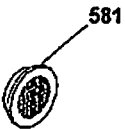
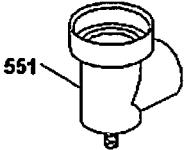
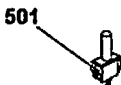
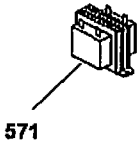
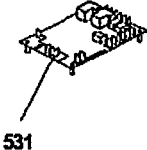
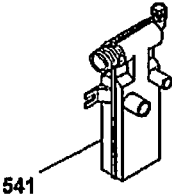
## SECONDARY HEAT EXCHANGER ASSEMBLY



# Dual Heat Exchanger Assy

Ref Part No:	Description:	Ref. Part No: No:	Description:				
<i>Image 1:</i>		342 B2864800	SCREW, SHOULDER #8 X .692" (QTY AR)				
151 2821500S	INNER FRONT PANEL 3 CELL (M1)	352 B2864600	COIL, SECONDAR HEAT EXCHANGER 3 CELL (M1)				
151 2821501S	INNER FRONT PANEL 4 CELL (M2)	352 B2864601	COIL, SECONDAR HEAT EXCHANGER 4 CELL (M2)				
151 2821502S	INNER FRONT PANEL 5 CELL (M3)	352 B2864602	COIL, SECONDAR HEAT EXCHANGER 5 CELL (M3)				
151 2821503S	INNER FRONT PANEL 6 CELL (M4)	352 B2864603	COIL, SECONDAR HEAT EXCHANGER 6 CELL (M4)				
161 2513001	BURNER BOX TOP 3 CELL (M1)	362 2825004	HEAT SHIELD 14" (M1)				
161 2513002	BURNER BOX TOP 4 CELL (M2)	362 2825005	HEAT SHIELD 17.5" (M2)				
161 2513003	BURNER BOX TOP 5 CELL (M3)	362 2825006	HEAT SHIELD 21" (M3)				
161 2513004	BURNER BOX TOP 6 CELL (M4)	362 2825007	HEAT SHIELD 24.5" (M4)				
171 2514000	BURNER BOX SIDE (QTY 2)	372 B1393515	SCREW #8 X 1.5" (QTY AR)				
181 B1401009S	ASSY, HOT SURFACE IGNITOR	382 B2810004	BOX, FLUE COLLECTOR 14" (M1)				
191 B1172606	FLAME SENSOR	382 B2810005	BOX, FLUE COLLECTOR 17.5" (M2)				
201 B2526001	MANIFOLD 3 CELL (M1)	382 B2810006	BOX, FLUE COLLECTOR 21" (M3)				
201 B2526002	MANIFOLD 4 CELL (M2)	382 B2810007	BOX, FLUE COLLECTOR 24.5" (M4)				
201 B2526003	MANIFOLD 5 CELL (M3)	392 B28322500	GASKET, FLUE COLLECTOR 14" (M1)				
201 B2526004	MANIFOLD 6 CELL (M4)	392 B2832501	GASKET, FLUE COLLECTOR 17.5" (M2)				
211 2809500	BRACKET, ROLLOUT SWITCH (QTY AR)	392 B2832502	GASKET, FLUE COLLECTOR 21" (M3)				
221 B1282615	GAS VALVE H.S.I. (HONEYWELL)	392 B2832503	GASKET, FLUE COLLECTOR 24.5" (M4)				
231 B1370143	ROLLOUT SWITCH 300°F (QTY AR)	402 B2833001	VENTER ASSY				
241 B2589345	GAS ORIFICE #45 (QTY AR)	412 B1393514	SCREW #8 X 1.00" ZINC (QTY 3)				
251 B1370013	LIMIT SWITCH 3" 200°F (M1, M2)	422 B1370156	STACK OVER TEMP SWITCH				
251 B1370010	LIMIT SWITCH 7" 170°F (M3, M4)	432 B2832605	O-RING F/STACK OVER TEMP				
261 2522703S	ASSY, INSHOT BURNER (QTY AR)	442 B1393513	SCREW #8 X 2.00" (QTY 2)				
271 2513501	BURNER RACK 3 CELL (M1)	452 B1810401	RUBBER SLEEVE				
271 2513502	BURNER RACK 4 CELL (M2)	462 B2864903	RESTRICTOR PLATE 1.25" (M1)				
271 2513503	BURNER RACK 5 CELL (M3)	462 B2864905	RESTRICTOR PLATE 1.50" (M2, M3, M4)				
271 2513504	BURNER RACK 6 CELL (M4)	472 B1810305	CLAMP F/VINYL CAP				
281 2813001	BURNER BOX BOTTOM 3 CELL (M1)	482 B2810400	VINYL CAP				
281 2813002	BURNER BOX BOTTOM 4 CELL (M2)	492 2868401	WIRE HARNESS, BLOWER				
281 2813003	BURNER BOX BOTTOM 5 CELL (M3)						
281 2813004	BURNER BOX BOTTOM 6 CELL (M4)						
291 B2832606	O-RING 2 1/4 X 5/32						
<i>Image 2:</i>		<b>Expanded Model Nomenclature</b>					
302 2830100	INNER FRONT PANEL, LOWER 3 CELL (M1)	<table border="1"> <tr> <td>M1 - GMN060-3</td> </tr> <tr> <td>M2 - GMN080-4</td> </tr> <tr> <td>M3 - GMN100-4</td> </tr> <tr> <td>M4 - GMN120-5</td> </tr> </table>		M1 - GMN060-3	M2 - GMN080-4	M3 - GMN100-4	M4 - GMN120-5
M1 - GMN060-3							
M2 - GMN080-4							
M3 - GMN100-4							
M4 - GMN120-5							
302 2830101	INNER FRONT PANEL, LOWER 4 CELL (M2)						
302 2830102	INNER FRONT PANEL, LOWER 5 CELL (M3)						
302 2830103	INNER FRONT PANEL, LOWER 6 CELL (M4)						
312 B2832504	GASKET, COIL/LOWER INNER FRONT 14" (M1)						
312 B2832505	GASKET, COIL/LOWER INNER FRONT 17.5" (M2)						
312 B2832506	GASKET, COIL/LOWER INNER FRONT 21" (M3)						
312 B2832507	GASKET, COIL/LOWER INNER FRONT 24.5" (M4)						
322 B2865004	ENDCAP 14" 3 CELL (M1)						
322 B2865005	ENDCAP 17.5" 4 CELL (M2)						
322 B2865006	ENDCAP 21" 5 CELL (M3)						
322 B2865007	ENDCAP 24.5" 6 CELL (M4)						
332 B1910005	SEALANT, HIGH PUTTY						

Miscellaneous



## Miscellaneous

Ref Part No:	Description:	Ref. Part No:	Description:
<i>Image 1:</i>			
501	B1370820		DOOR SWITCH
511	B945652		CAPACITOR 10/370 (M2, M3)
511	B945672		CAPACITOR 12.5/370 (M1)
511	B945653		CAPACITOR 15/370 (M4)
521	B1370150		SWITCH, AIR PRESSURE (WHITE) (M2, M3, M4)
521	B1370148		SWITCH, AIR PRESSURE (YELLOW) (M1)
531	B1809908		INTEGRATED H.S.I. MODULE
541	B2810811		DRAIN TRAP
551	B2810815		DRAIN ELBOW 2"3"
561	2868400		WIRE HARNESS, HEAT EXCHANGER
571	B1141600		TRANSFORMER 115/24/40V
581	B2810816		2" MESH INSERT
591	B2810814		3" MESH INSERT

### Expanded Model Nomenclature

M1 - GMN060-3
M2 - GMN080-4
M3 - GMN100-4
M4 - GMN120-5