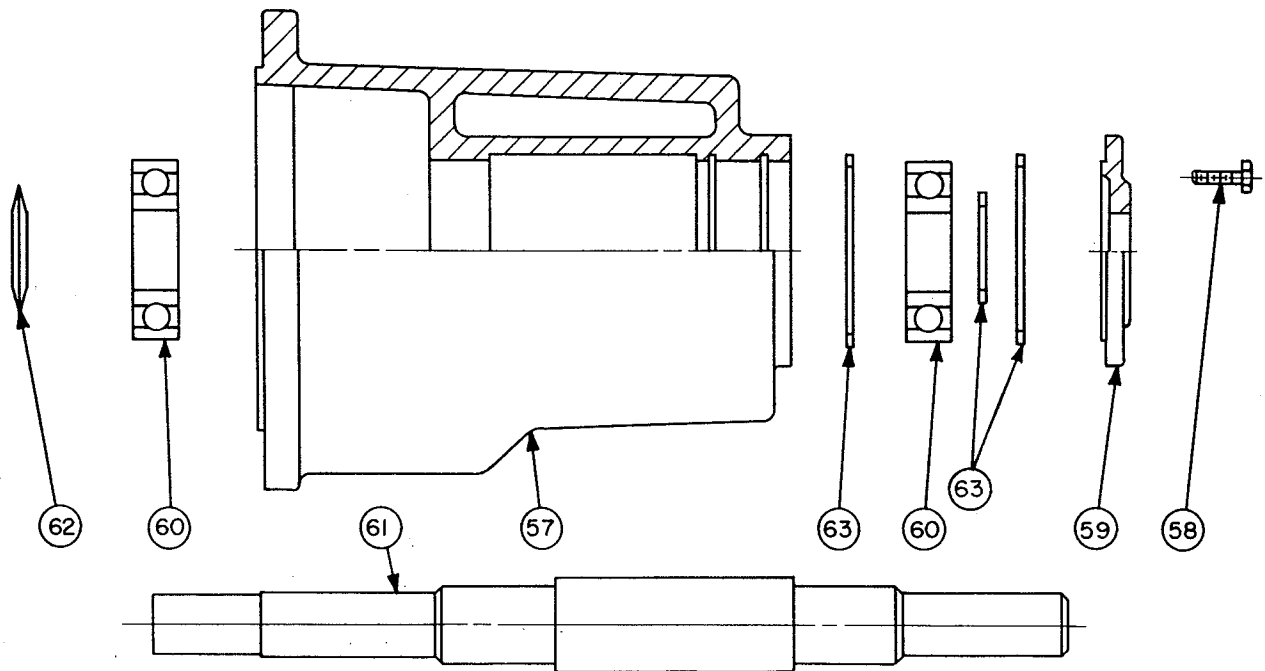




## FRAME SIZE & STYLE



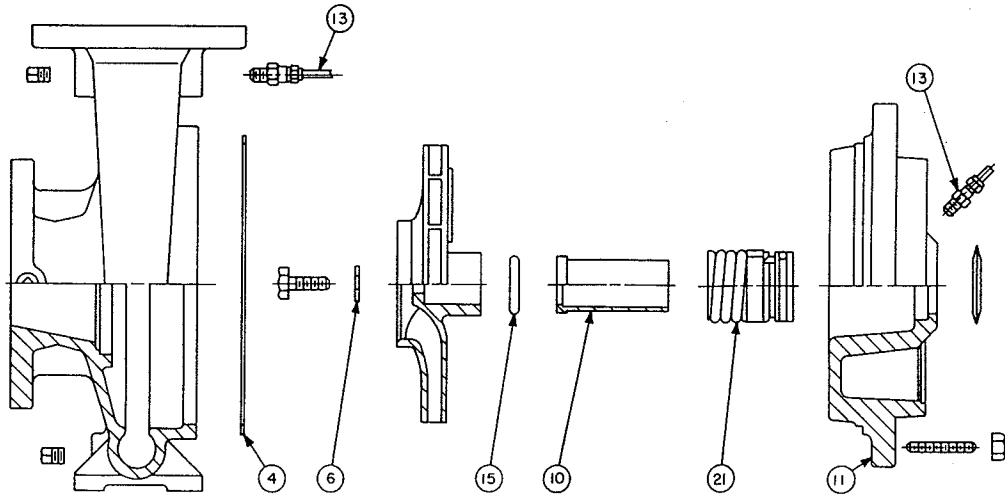
### FRAME PARTS FOR "C" SIZE PUMP

ITEM NO.	NO. REQ.	DESCRIPTION	PART NO.	REMARKS
72	1	FRAME ASSEMBLY	950-1217RP	All Above Assembled As A Unit
57	1	FRAME	N/A	
58	8	HEX HD. SCREWS	HARDWARE	
59	2	BEARING COVER	950-1203RP	
60	2	BALL BEARING	951-154RP	
61	1	SHAFT	950-1206RP	
62	1	DEFLECTOR	N/A	
63	3	RETAINING RING	950-1208RP	
65	2	GREASE FITTING	950-1214RP	Not Shown
66	1	WASHER	HARDWARE	Not Included With Frame
67	1	BOLT	HARDWARE	Not Included With Frame

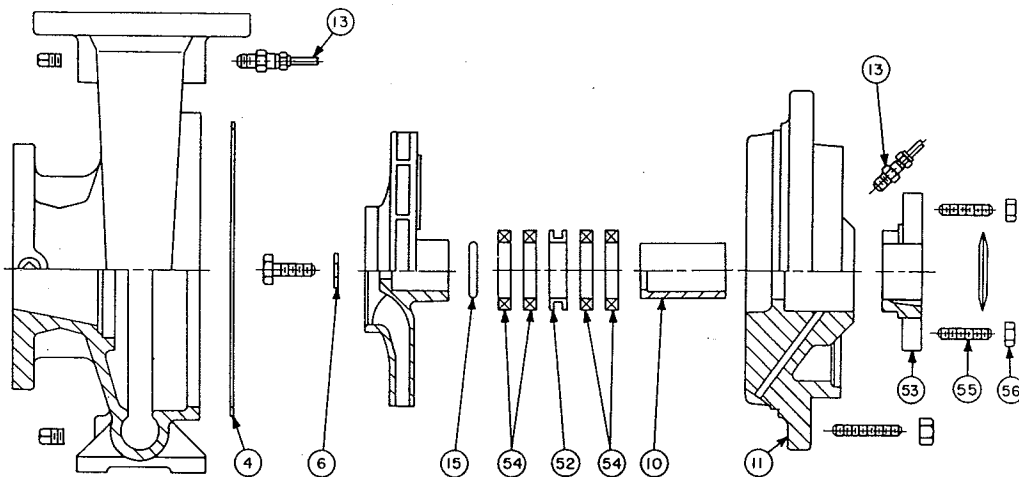
### COVER MODULE FOR "C" SIZE PUMPS

ITEM NO.	NO. REQ.	SEAL OR PACKING TYPE	DESCRIPTION	3008	4008	2510	3010
11	1	B-D-E	COVER	950-1139RP	950-1139RP	950-1140RP	950-1140RP
11	1	P-Y	COVER	950-1127RP	950-1127RP	950-1128RP	950-1128RP
24	8	NA	STUD	N/A	N/A	950-1159RP	950-1159RP
25	8	NA	NUT	N/A	N/A	HARDWARE	HARDWARE

## SEAL OR PACKING DESIGN MECHANICAL SEAL



## PACKING



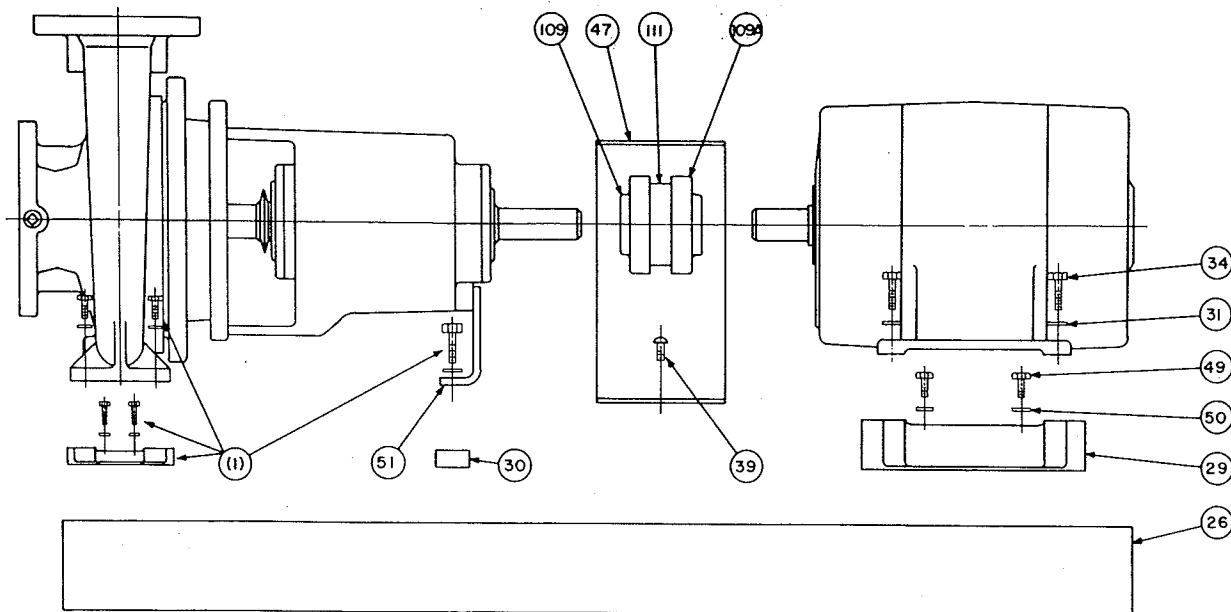
**TYPE "B" STANDARD, TYPE "D" HI TEMP, TYPE "E" CERAMIC, TYPE "P" & "Y" PACKING**

**SEAL PARTS FOR "C" SIZE PUMPS**

**SEAL KIT INCLUDES ITEMS 4, 6, 10, 15 & 21**

ITEM NO.	NO REQ.	DESCRIPTION	SEAL OR PACKING DESIGN				
			TYPE "B"	TYPE "D"	TYPE "E"	TYPE "P"	TYPE "Y"
4	1	GASKET	SEE PAGE 1				
6	1	IMP. WASHER	SEE PAGE 1				
10	1	SLEEVE (SS)	950-517RP	950-517RP	950-517RP	951-037RP	
10	1	SLEEVE (BRZ.)	950-520RP	950-520RP	950-520RP	951-038RP	
13	1	TUBE FITTING KIT	951-247RP	951-247RP	951-247RP	951-247RP	
15	1	SLEEVE GASKET	950-111RP	950-111RP	950-111RP	950-111RP	
30	1	SEAL KIT	950-665SRP	950-668SRP	950-671SRP	N/A	
30	1	SEAL KIT	950-665BRP	950-668BRP	950-671BRP	N/A	
52	1	LANTERN RING	N/A	N/A	N/A	950-1194RP	
52	1	LANTERN RING (BRZ.)	N/A	N/A	N/A	950-1194BRP	
53	1	GLAND	N/A	N/A	N/A	950-1197RP	
53	1	GLAND (BRZ.)	N/A	N/A	N/A	950-1197BRP	
54	4	PACKING RING	N/A	N/A	N/A	950-1200RP	
55	2	STUD	N/A	N/A	N/A	950-1300RP	
56	2	NUT	N/A	N/A	N/A	HARDWARE	

# MOTOR PARTS—NOT PART OF SERIAL NUMBER—



## FOR FM PUMPS NO. 3008 & 2510 (1)

ITEM NO.	NO. REQ.	DESCRIPTION	MOTOR FRAME SIZE (NEMA STD.) 'T' (NOTE 2)						
			184T	213T	215T	254T	284TS	286TS	324TS
26	1	BASE	CONSULT FACTORY						
29	2	MTR. SPACER	CONSULT FACTORY						
30	1	FOOT SPACER	N/A					950-188RP	
31	4	MTR. LOCKWASHER	HARDWARE						
34	4	MTR. BOLT	HARDWARE						
39	2	C. G. SCREW	HARDWARE						
47	1	COUPL. GUARD	840-125RP			862-164RP			
49	4	MTR. SPACER BOLT	HARDWARE						
50	4	MTR. SPACER L.W.	HARDWARE						
51	1	FRAME FOOT	950-1190RP						
109	1	PUMP COUPL. HALF	900-328RP		900-364RP		900-427RP		
109A	1	MTR. COUPL. HALF	900-327RP	900-328RP		900-365RP	900-428RP	900-437RP	
111	1	COUPL. INSERT	900-513RP		900-514RP		900-515RP		

NOTE (1): For Pump Spacers & Hardware, Consult Factory.

NOTE (2): For Motors Above 326TS, Consult Factory.

## FOR FM PUMPS NO. 4008 & 3010 (1)

ITEM NO.	NO. REQ.	DESCRIPTION	MOTOR FRAME SIZE (NEMA STD.) 'T'					
			184T	213T	215T	254T	256T	284T
26	1	BASE	CONSULT FACTORY					
29	2	MTR. SPACER	CONSULT FACTORY					
30	1	FOOT SPACER	N/A					
31	4	MTR. LOCKWASHER	HARDWARE					
34	4	MTR. BOLT	HARDWARE					
39	2	C. G. SCREW	HARDWARE					
47	1	COUPL. GUARD	840-125RP			862-164RP		
49	4	MTR. SPACER BOLT	HARDWARE					
50	4	MTR. SPACER L.W.	HARDWARE					
51	1	FRAME FOOT	950-1190RP					
109	1	PUMP COUPL. HALF	900-328RP		900-364RP		900-427RP	
109A	1	MTR. COUPL. HALF	900-327RP	900-328RP		900-365RP	900-428RP	
111	1	COUPL. INSERT	900-513RP		900-514RP		900-515RP	

NOTE (1): For Pump Spacers & Hardware, Consult Factory.