



Replacement Parts

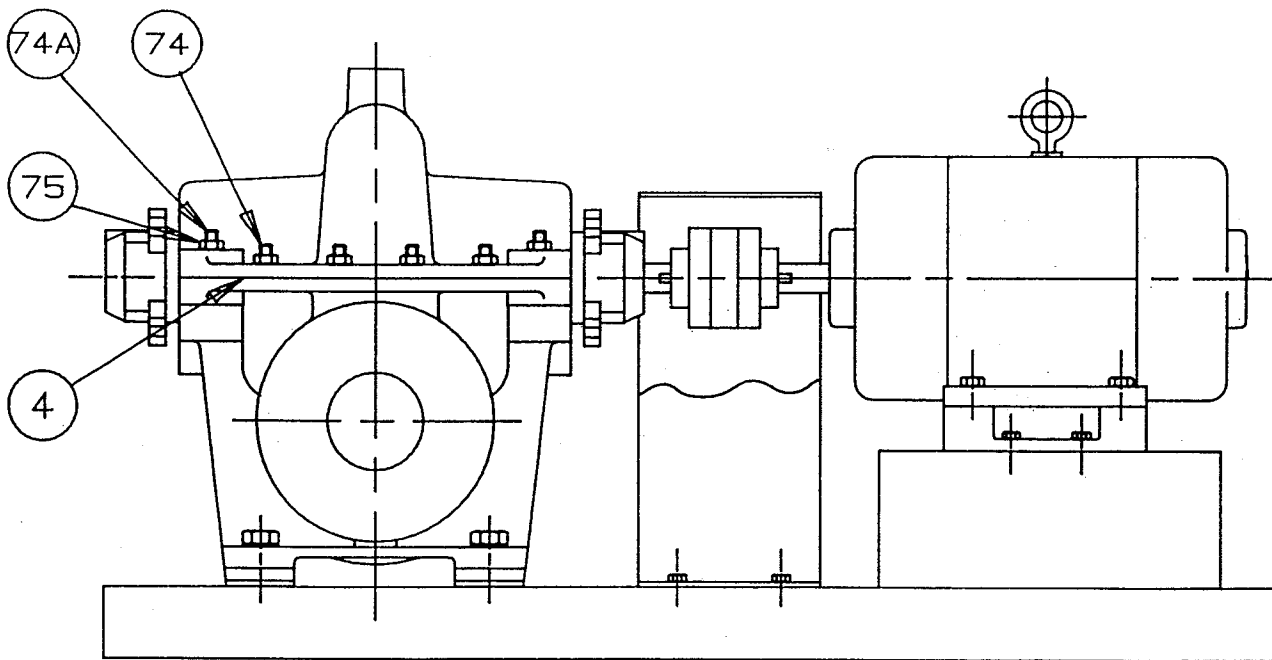
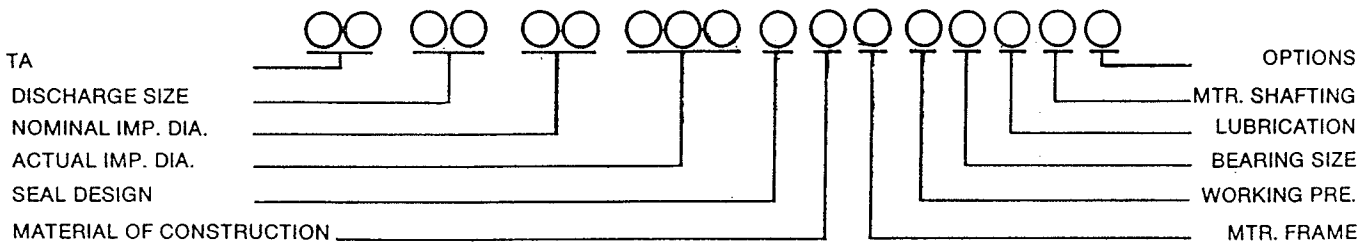
304-055

For Model Numbers—TA 0538, 0624, 0824, 0830 & 0838

SUPERSEDES: 304-032, 304-033, 304-034, 304-035 & 304-036

EFFECTIVE: OCTOBER 1, 1992

WHEN SELECTING AND ORDERING PARTS, ALWAYS REFER TO SERIAL NUMBERS ON NAME PLATE.



"TA" Horizontal Split Case Pumps

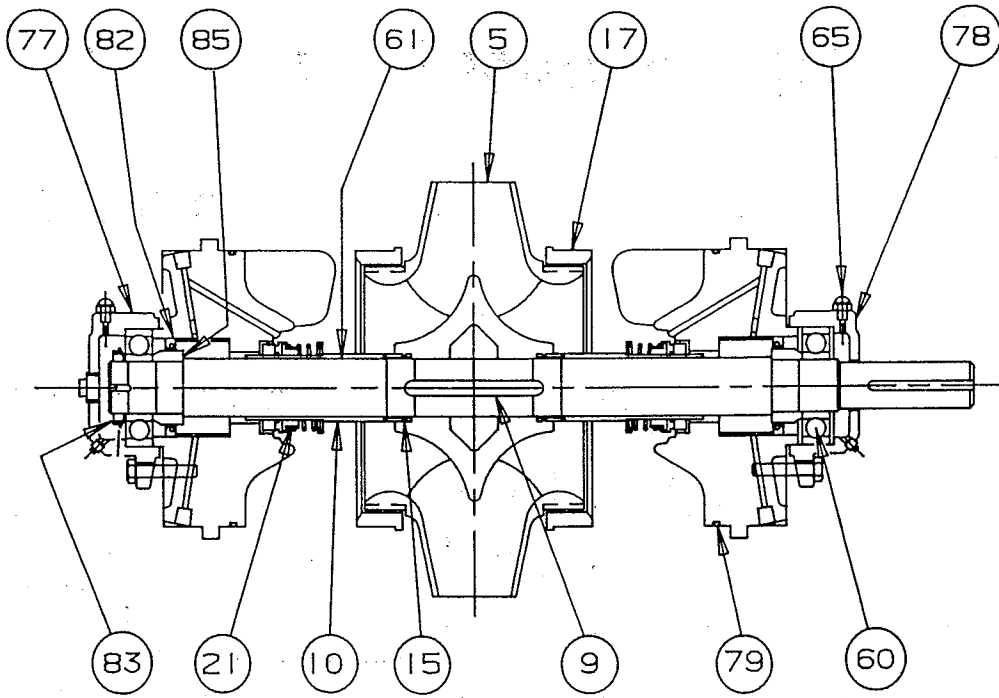
5214 BURLISON RD, SUITE 106

COMPARE. YOU'LL TAKE TACO.

TACO, INC., 1160 Cranston Street, Cranston, RI 02920 (401) 942-8000 FAX: (401) 942-2360.

TACO (Canada), Ltd., 1310 Almco Blvd., Mississauga, Ontario L4W1B2. Telephone: 416/625-2160. FAX: 416/625-8616.

Printed in USA
Copyright 1992
TACO, INC.



ITEM NO.	QTY.	I.D. NO.	PART NUMBER	DESCRIPTION	PUMP MODEL NO.					REMARKS
					0538	0624	0824	0830	0838	
4	1	9	951-422RP	Casing Gasket Set	X					
4	1	1	951-424RP	Casing Gasket Set		X				
4	1	2	951-416RP	Casing Gasket Set			X			
4	1	6	951-392RP	Casing Gasket Set				X		
4	1	10	951-404RP	Casing Gasket Set					X	
5	1	9	950-1227BRP	Bronze Impeller	X					
5	1	1	950-1219BRP	Bronze Impeller		X				
5	1	2	950-1220BRP	Bronze Impeller			X			
5	1	6	950-1224BRP	Bronze Impeller				X		
5	1	10	950-1228BRP	Bronze Impeller					X	
9	1	1	950-1241RP	Impeller Key	X	X	X	X	X	
10	2	6	950-1246BRP	Bronze Sleeve	X	X	X	X	X	
10	2	6	951-158RP	Sleeve (SS)	X	X	X	X	X	
15	2	1	951-176RP	Sleeve "O" Ring	X	X	X	X	X	
17	2	3	950-1253BRP	Bronze Wear Ring	X				X	
17	2	1	950-1251BRP	Bronze Wear Ring		X	X	X		
21	2	1	950-673RP	Standard Water Seal	X	X	X	X	X	*
21	2	2	950-676RP	Hi-Temp. Water Seal	X	X	X	X	X	*
21	2	3	950-679RP	Ceramic Water Seal	X	X	X	X	X	*
60	2	1	950-962RP	Ball Bearing	X	X	X	X	X	

*Select seal per code on pump nameplate.

Mechanical Seal Parts & Internal Parts (continued)

ITEM NO.	QTY.	I.D. NO.	PART NUMBER	DESCRIPTION	PUMP MODEL NO.					REMARKS
					0538	0624	0824	0830	0838	
61	1	1	950-1264RP	Shaft (Stl.)	X	X	X	X	X	
61	1	1	950-1264SRP	Shaft (S.S.)	X	X	X	X	X	
65	2	1	950-1214RP	Grease Fitting	X	X	X	X	X	
74		2	950-1270RP	Casing Studs	18/X				20/X	**
74		1	950-1269RO	Casing Studs		14/X	14/X	16/X		**
74A	4	11	950-1275RP	Casing Studs	X				X	
74A	4	10	950-1274RP	Casing Studs		X	X	X		
75		1	950-1279RP	Casing Nut	22/X	18/X	18/X	20/X	24/X	**
77	1	1	950-1282RP	Bearing Housing (NDE)	X	X	X	X	X	
78	1	1	950-1285RP	Bearing Housing (DE)	X	X	X	X	X	
79	2		950-965RP	"O" Ring	X				X	
79	2		951-370RP	"O" Ring		X	X	X		
82	2	1	950-1289RP	Oil Seal	X	X	X	X	X	
83	1	1	950-1292RP	Nut, Bearing Retainer	X	X	X	X	X	
85	2	1	950-1295RP	Shoulder Ring	X	X	X	X	X	
	1		951-1843RP	(CW) Rotating Elem. Assy.	X					*
	1		951-1844RP	(CW) Rotating Elem. Assy.		X				*
	1		951-1845RP	(CW) Rotating Elem. Assy.			X			*
	1		951-1846RP	(CW) Rotating Elem. Assy.				X		*
	1		951-1847RP	(CW) Rotating Elem. Assy.					X	*
	1		951-1865RP	(CCW) Rotating Elem. Assy.	X					*
	1		951-1866RP	(CCW) Rotating Elem. Assy.		X				*
	1		951-1867RP	(CCW) Rotating Elem. Assy.			X			*
	1		951-1868RP	(CCW) Rotating Elem. Assy.				X		*
	1		951-1869RP	(CCW) Rotating Elem. Assy.					X	*

**Number shown are quantities required. "X" is for pump model.
 All bolts, lockwashers, plugs and coupler guard screws are hardware items.
 *Impeller diameter must be specified.
 *Bronze impeller and sleeve, carbon steel shaft and standard ni-resist seals.